

**fluid control
components**



Fittings



Tubing



Couplings



Check Valves



Filters

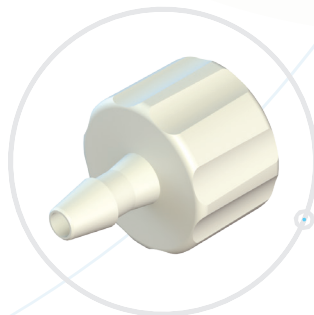
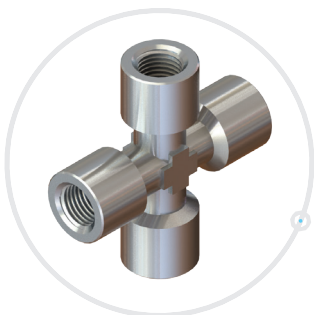
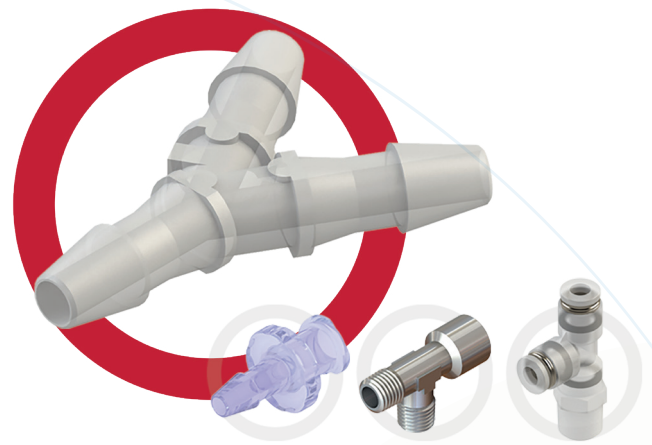


Flow Control

Fittings & Luers

These are available in many different materials from plastics to metals and a large range of styles from barb, push-in and threaded adaptors.

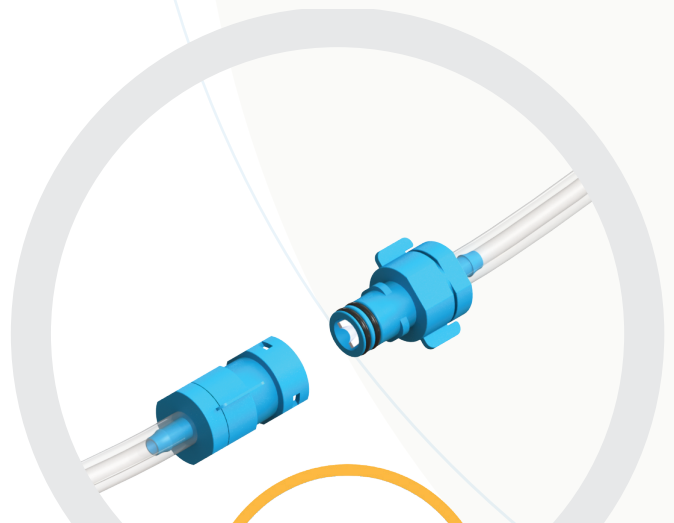
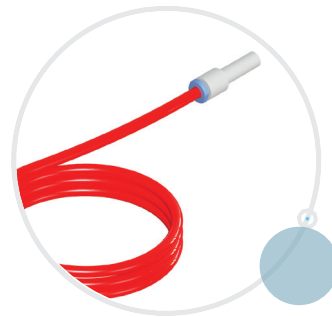
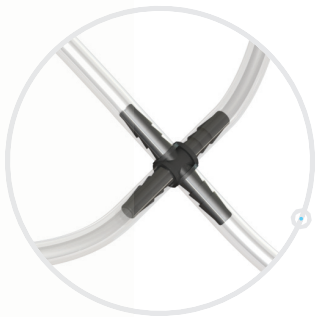
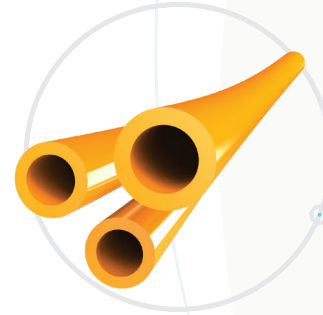
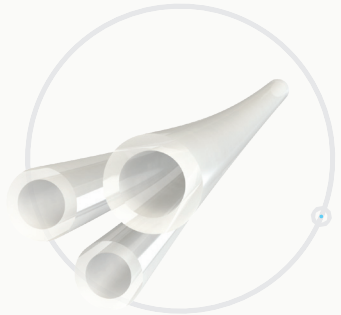
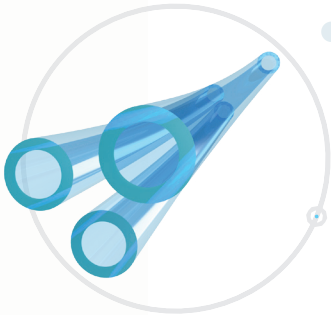
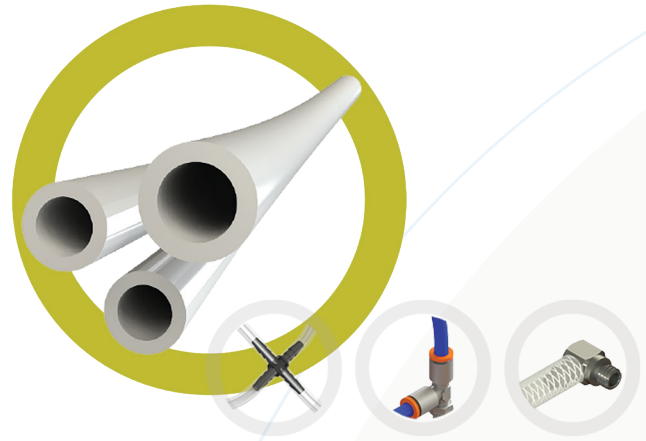
The Luer taper is a standardised system of small scale fluid fittings used for making leak-free connections between a male taper fitting and the mating female connection. We also offer ISO 80369 to prevent misconnections.



Tubing

The range of tube materials we offer includes Kynar®, LLDPE, Nylon, Polyethylene, Polyurethane, PVC, Silicone and TPE.

Select from different shore hardness tube ratings according to where and how your tubing will be used.



Custom Solutions

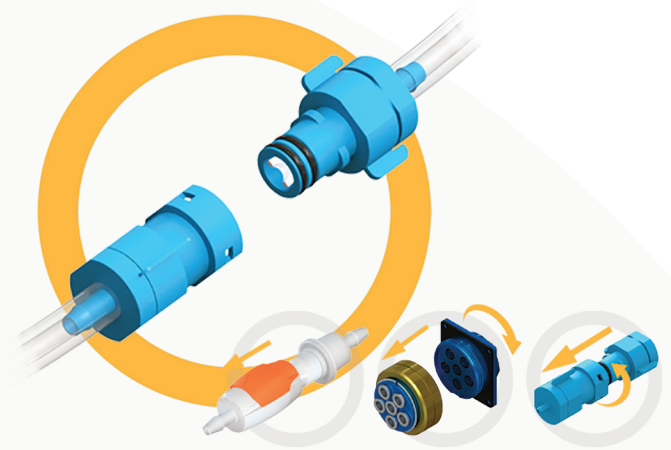
Our technical teams may advise on the different tube resistances we have within our range and their resistance measurement to indentation or bending

We have a fitting for every shore hardness!

Couplings

Our miniature couplings range is available in a wide variety of metal and plastic materials.

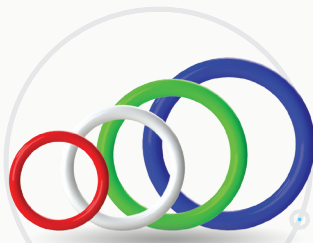
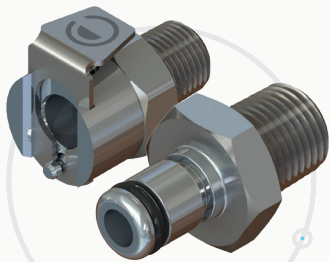
We have three mounting style options including In-Line, Panel Mount and Threaded. Mating options for our range of couplings include thumb latch, twist lock, side latch, multiple bulkhead and plastic luers which are offered in ISO 80369 to prevent misconnections.



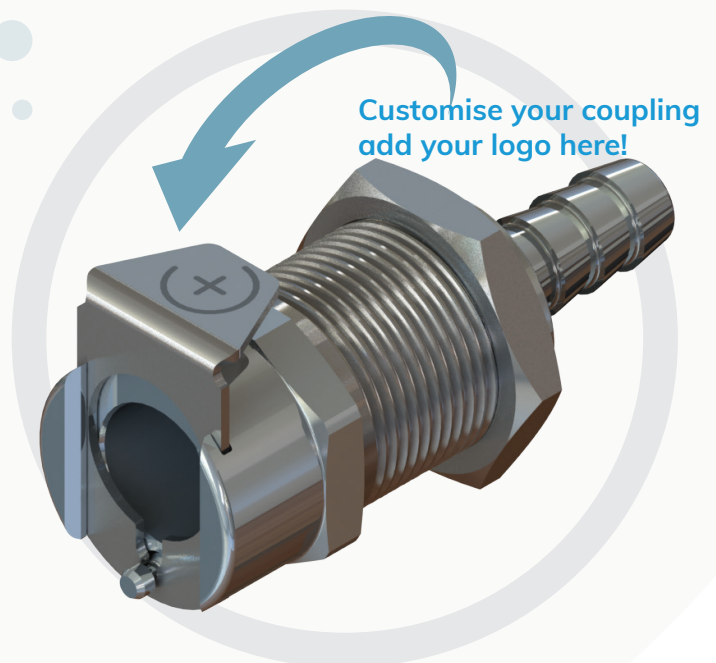
Introducing EQC Series Couplings

Key features include:

- 316 Stainless Steel Body
- 316 Stainless Steel Springs
- 316 Stainless Steel Poppet (valved option only)
- O-ring – EPDM (Silicone, FKM available on request)



O-rings - Available in various materials and colours



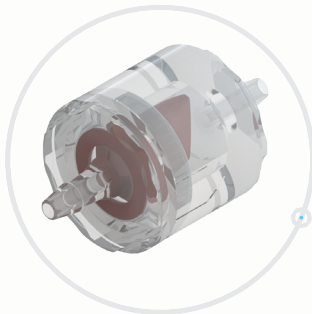
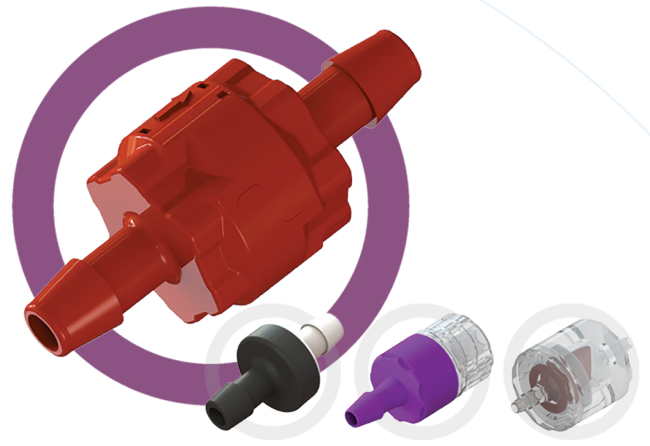
Customise your coupling
add your logo here!

Check Valves

Available in various specification and material options. Valve types include: Duckbill, Floating Disc, Diaphragm and Poppets.

We have recently added modular check valves to our range with many configurations available including barb, thread, push-in and cartridge only. These utilise a spring-forced floating poppet which will allow flow at a cracking pressure to suit your application.

Cleanroom manufactured also available.

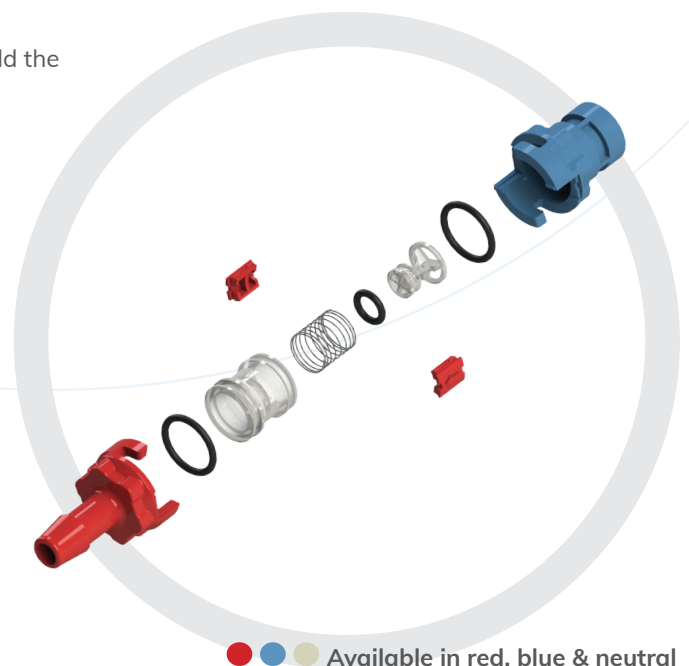


Configure your own Check Valve

Our online check valve assembly configurator enables you to build the valve specification your application requires

Key features include:

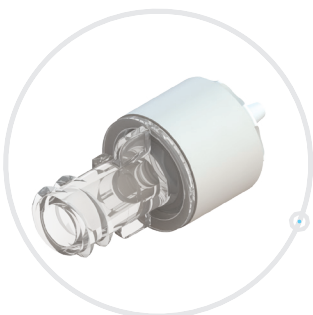
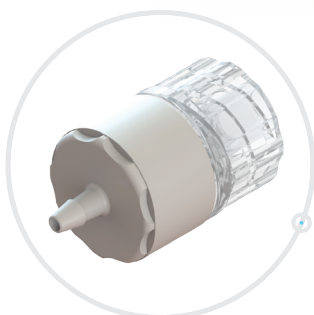
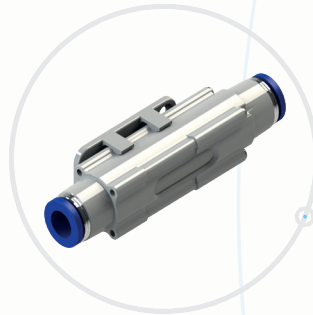
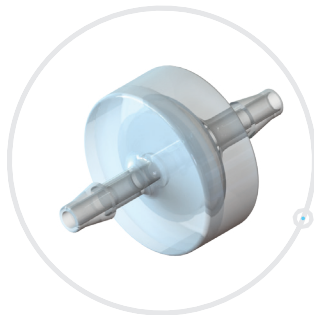
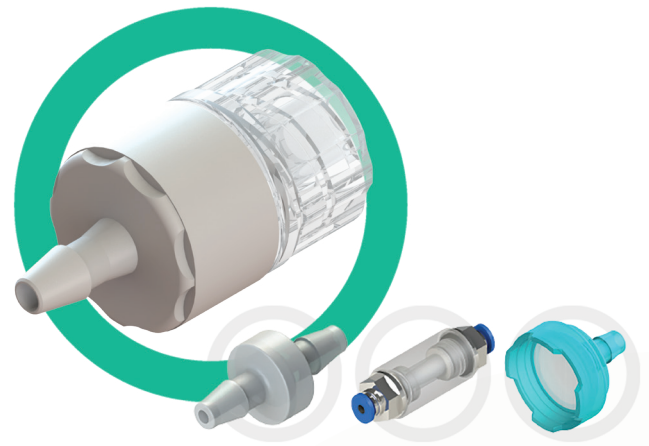
- Mix 'n' match inlet & outlet options
- Barb, Push-In & BSPP Female Thread connections
- O-ring materials: Nitrile, EPDM, Viton & Silicone
- Cracking pressure 0.1 to 10 psi
- Polypropylene cartridge with Stainless Steel spring



Filters

We offer filtration from as low as 0.10 Micron up to 250 Micron. There are many different material options available for both the filter element and the body housing. Connection styles from luer to luer, threaded, barb to barb and push-in.

We offer a range of filters including suction, syringe, serviceable and luer.



Single Use Filters

This range is manufactured in a Class 8 (100,000) cleanroom which lends itself perfectly to the medical and life science industry. As standard, each filter has a 0.2 micron Hydrophobic Glass Fibre Disc which is great for removal of fine particulates.

The filters as standard are luer to barb connections. An added advantage is that it can be totally modular so you can choose your perfect connection.

Key features include:

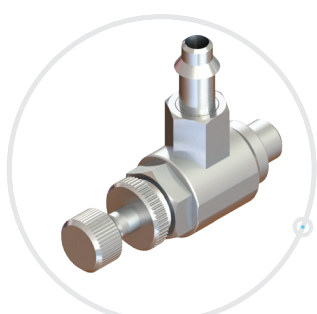
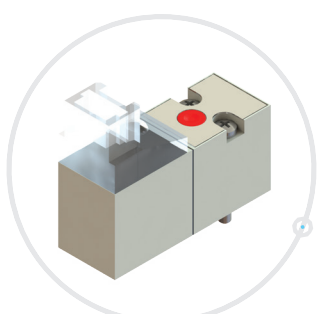
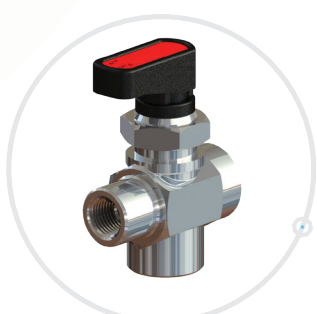
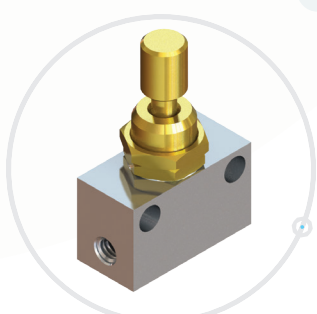
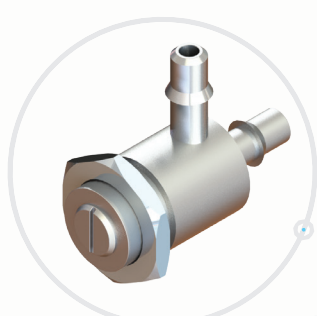
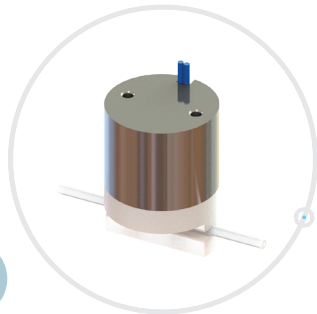
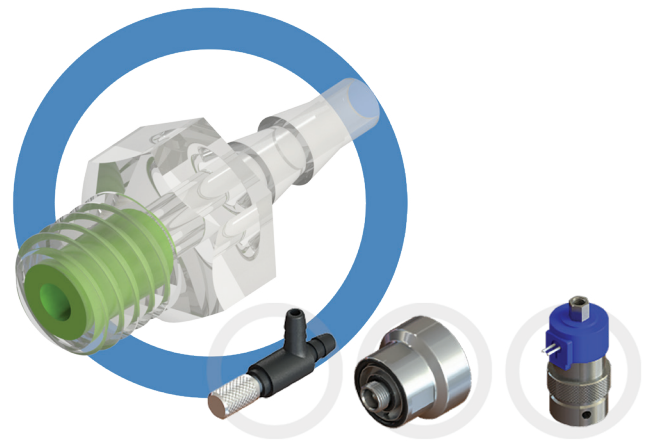
- 0.2 micron Hydrophobic filter
- ISO 80369-7 compliant luer
- Backwards compatible to ISO 594
- USP Class VI

Still can't find your perfect connection?
contact us - sales@eoxshop.com

Flow Control

Eox offer many different materials, connections and voltages which are used to direct and control the flow of compressed air through the system.

The range includes orifice restrictors, directional valves, needle valves, flow control valves, regulators and pumps offered in a variety of material options.



Eox supplies customers around the world with a unique portfolio of fittings, couplings, tubing, check valves and other miniature fluid control components.

Available in a variety of sizes, connection styles and material specification. Full technical data is available for every product including downloadable 3D CAD models to help with the design and development process.

eox offers...

- Downloadable 3D models and technical data for every product
- In stock products direct from your local distributor
- New products added frequently
- Create your own product with our online configurators
- Product catalogues & samples
- Worldwide shipping
- Buy in Sterling, €s and \$s

Contact Us...

E: sales@eoxshop.com
W: eoxshop.com
T: +44 (0)2392 266031

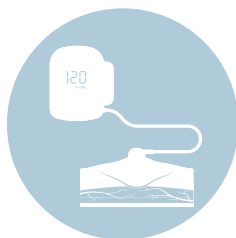
Markets we serve



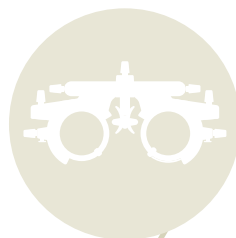
Cell Culture & Bioprocess



Endoscopy



Wound Care



ophthalmic



Pressure Care